

# MyStat

A smarter, simpler way to deliver zone and two-stage equipment control



- Occupancy, temperature, and humidity in an intuitive, cost-competitive design
- Optimize comfort in multifamily units, hotel suites, or dormitories
- (4) Onboard relays
- (1) Analog outputs
- (1) Universal input

# MyStat

The Airoverse MyStat is comfort made simple. This compact, versatile thermostat is designed to bring affordable and efficient HVAC control to a wide range of spaces. With advanced temperature, humidity, and occupancy sensing, MyStat optimizes energy use in hotels, dorms, and other guest-facing settings.

MyStat integrates seamlessly into the Airoverse ecosystem, providing reliable control for up to two stages of heating/cooling/fan, as well as single-modulating output. Its approachable design, energy-saving features, demand response capability, and advanced connectivity all ensure maximum adaptability and a cost-competitive zone interface.



## OVERVIEW

Functional, efficient, and affordable, the MyStat is designed for multi-unit applications where optimizing comfort, performance, and cost is required. Key features include 4 relays, 1 universal input, and 1 analog output, with a built-in occupancy sensor for Auto-Away and Auto-Forced Occupied sequences to save energy in unused spaces.

## KEY FEATURES

- Energy Efficiency Through Automation: Advanced occupancy sensing ensures optimal comfort when spaces are in use and reduces energy waste when unoccupied.
- Compact and Adaptable Design: MyStat is tailored for versatile HVAC setups, providing reliable control without intrusive equipment.
- Seamlessly integrates into the Airoverse ecosystem via a robust wireless mesh network.
- Enhanced Connectivity: Features RS485 communication for wired BACnet and Modbus integration and support for wireless door/window sensors for additional automation.
- Effortless Updates: Over-the-air firmware updates through the Airoverse Central Control Unit (CCU).
- Low Power Consumption: Built to minimize energy usage for sustainable operation.

## COMPATIBLE APPLICATIONS

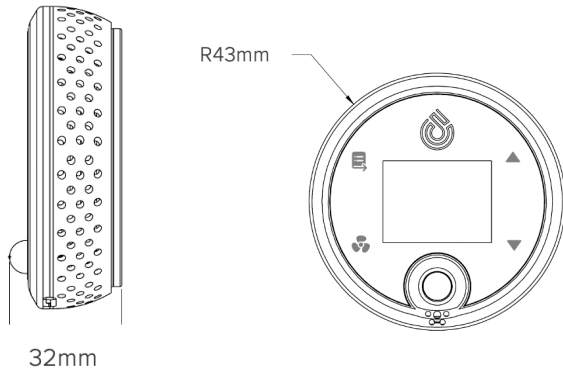
- 2 Pipe Fan Coil Unit
- 4 Pipe Fan Coil Unit
- Rooftop Package Unit
- Heat Pump Unit



# MyStat

## MECHANICAL

<b>Dimensions</b>	43mm Radius x 32mm Wide
<b>Mounting</b>	Wall mount
<b>Screen</b>	LCD, 1.8"



## SENSORS

<b>Temperature</b>	Operating range between 32°F – 122°F (0 – 50°C); typical accuracy of +/- 1 °F or 0.2°C
<b>Humidity</b>	Sensing range between 0 to 100%RH; Typical accuracy of +/- 2% RH
<b>Occupancy</b>	Passive Infra Red (PIR) with detection range of 4m with 110 -degree angle

## WIRE SAVER

Wire savers are commonly used in retrofitting HVAC systems to eliminate the need for adding new wiring, such as the common wire (C-wire), when upgrading to smart thermostats. They simplify installation in older systems, reduce retrofit costs, and ensure compatibility without extensive rewiring. This makes them a practical solution for modernizing existing HVAC setups. The MyStat includes onboard circuitry to enable the use of a wire saver. This is enabled or disabled using the shortlinks in the device.

## I/O

<b>Inputs</b>	(1) Universal input which can be configured as Thermistor or Analog IN
<b>Outputs</b>	A. (1) 0-10V dc or 4-20mA analog outputs (factory setting) B. (4) relays rated at 0.3A, 120V ac or 1.0A, 24 V ac/dc resistive load

## Electrical

<b>Power</b>	24V AC/DC (+/-15%) with nominal power consumption of less than 0.3W
--------------	---

## COMMUNICATIONS

<b>Bluetooth</b>	Bluetooth (BLE4.1) for commissioning, location analysis or communication to wireless sensors*
<b>Mesh</b>	902-928 MHz IEEE 802.15.4-compliant for communication to CCU
<b>Wired</b>	Industry standard RS485 for Modbus or BACnet. Mode – Server/Slave

