

SPEC SHEET

75F[®] Ceiling Sensor[™]

High-precision temperature and humidity measurement for increased comfort



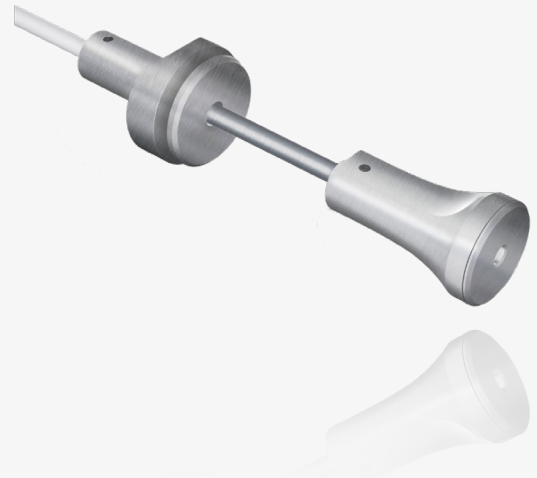
- Accurate temperature readings
- Accurate humidity readings
- Sleek design, low impact aesthetics



75F® Ceiling Sensor™

75F's suite of sensor offerings gives building owners the power of IoT-connected devices for optimal efficiency and comfort in spaces where it matters most. This rings true even for wide open spaces or zones without room for a wall-mounted sensor.

The 75F Ceiling Sensor mounts easily to the ceiling with a threaded bush and is adjustable with a set screw, making temperature and humidity readings not only possible in airy spaces, but accurate, too.



OVERVIEW

The 75F® Ceiling Sensor™ offers high-precision measurement pre-calibrated from the factory for measuring comfort factors of temperature and humidity. The Ceiling Sensor is easily mounted on a ceiling by a threaded bush. The module drop from the ceiling can be adjusted via a set screw.

The Ceiling Sensor uses a proprietary 1-wire protocol to communicate with other devices such as the Central Control Unit, Smart Node, or HyperStat.

KEY FEATURES

- Accurate temperature readings (typical +/- 1F or 0.2C)
- Accurate humidity readings (typical +/- 2% R.H.)
- Sensor bus for power and communication
- Can be daisy-chained with other sensors on the 1-wire bus to provide an extensible sensor network

ADDITIONAL FEATURES

- Sleek design, low impact aesthetics
- Easily mounted on ceiling via threaded bush
- Module drop can be easily adjusted

APPLICATIONS

- 75F® Dynamic Airflow Balancing™
- 75F® Smart VAV with Reheat™
- 75F® Single Stage Equipment Controls™
- 75F® HyperStat™ Remote Sensing

INCLUDED

(1) Ceiling Sensor

75F® Ceiling Sensor™

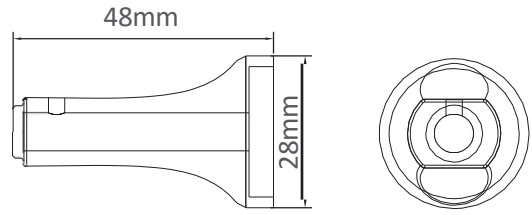
MECHANICAL

Dimensions Body length: 1.89" (48mm)
Max body height: 1.10" (28mm) Male bush length: 1.77" (45mm) Male bush max height: 1.26" (32mm)
Included wire: 20'
Drop adjustments extender: 8" (203mm)

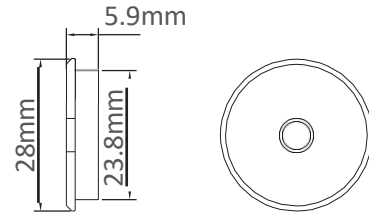
Mounting (1) threaded bush, requires 15mm hole in ceiling tile

Operating Temp 0°F – 122°F (-18°C – 50°C)

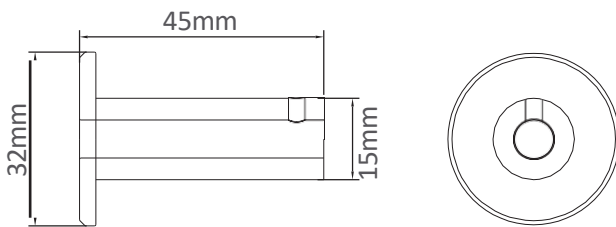
Termination 3 pin connector



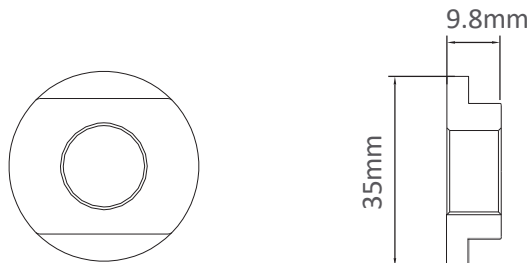
BODY



BODY CAP



MALE BUSH



FEMALE BUSH

COMMUNICATIONS

Wired Proprietary 1-wire protocol to communicate with master devices

ELECTRICAL

Power 3.3V DC provided by Smart Node via 3 pin connectors